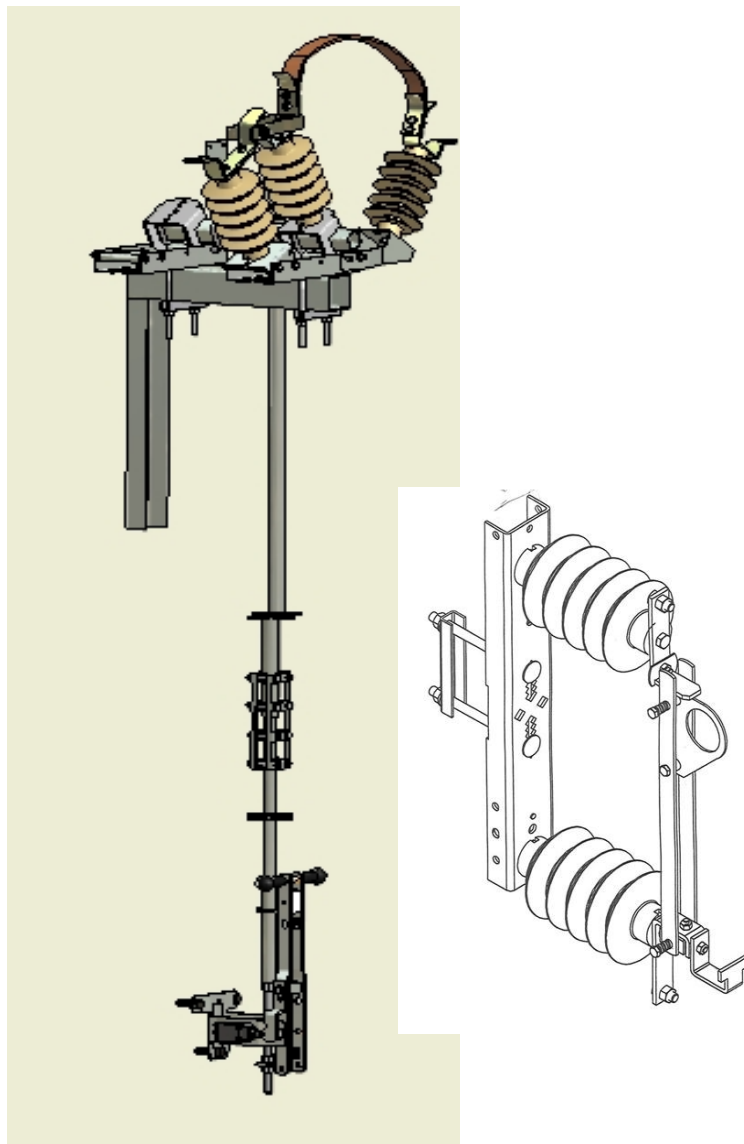


GEVEA

**Single pole disconnecter for
transformer zero disconnecting**



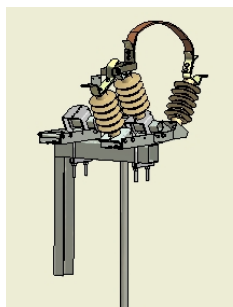
Single pole disconnectors for transformer zero disconnecting can be delivered in two basic designs, **EFG** and **GDSG**.

EFG is a simpler design, built like our fuse arrangements L33, with a disconnecting blade which is operated from the ground, with an insulated operating rod. The operating rod is not included.

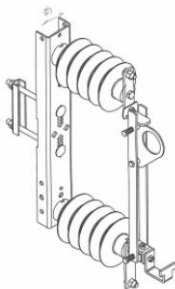
GDSG-E is built like our overhead line switches GDS. Delivered with a combined pole- and wall attachment, and operation rod. **GDSG-ES** is delivered with an auxiliary contact.

Disconnector GDSG could also be delivered with an motor operating unit. As an alternative also as Loadbreak switch.

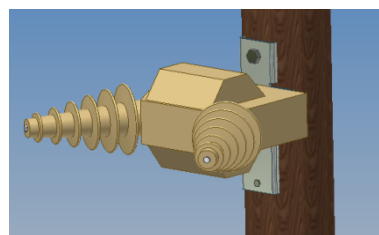
Art. number	Type	Specification	Weight kg
06 356 50	EFG	24 kV 400A. Single pole disconnector operating rod not included.	13
06 356 51	GDSG-ES	24 kV 630A. Single pole disconnector with handle and auxiliary contact.	35
06 356 52	GDSG-E	24 kV 630A. Single pole disconnector with handle and without auxiliary contact.	34
06 356 53	GDSG-ES 36	36 kV 630A. Single pole disconnector with handle and auxiliary contact.	37
06 356 54	GDSG-ES 52	52 kV 630A. Single pole disconnector with handle and auxiliary contact.	40
A4615	NSL 60	Motor operator 110 V DC. For operating disconnector Type GDSG.	45
A8056-1	Transformer	Voltage transformer 22000/220 V. 200 VA.	40
A8056-1	Transformer	Voltage transformer 10000/220 V. 200 VA.	37



GDS-E



EFG



Voltage transformer

GEVEA

AB Gevea
Box 12043
S-60012 Norrköping
www.gevea.com

Tlf. +46 11 184800
Fax. +46 11 182350
info@gevea.se